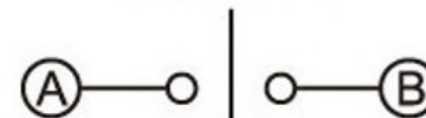
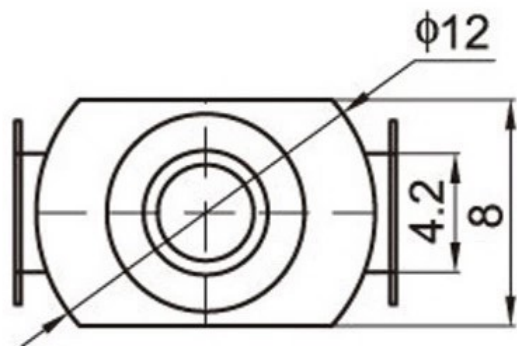


ON-OFF



电路简图

SCHEMATIC (NON-SHORTING)



注：“*”□表示关键尺寸(3个).

NO.	PARTS	MATERIALS	Q'TY	TOLERANCE UNLESS SPECIFIED	ISSUE	DATE	DESCRIPTIONS OF REVISION	APPD.
8								
7								
6				WITHIN 1.5mm : ±0.1mm OVER 1.5mm : ±0.2mm	A	2012-8-13	初版	
5	SPRING	SUS	1	NATURAL				
4	CAM STICK	SUS	1	NATURAL				
3	CASE	PA66/BRASS STRIP	1	GREY/Ag PLATED	TITLE : VERTICAL PUSH SWITCH		UNIT : mm	DRWG NO.:
2	COVER	PA66	1	BLACK	MODEL:		SCALE: 5:1	DWN. 2012-8-13
1	KNOB	PA66/PBS C5210R-EH	1	WHITE/Ag CLAD	东莞市高迪电子有限公司		CHK'D	2012-8-13
							APPD.	